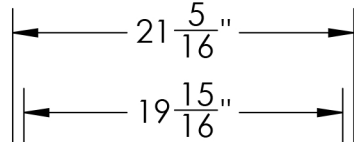


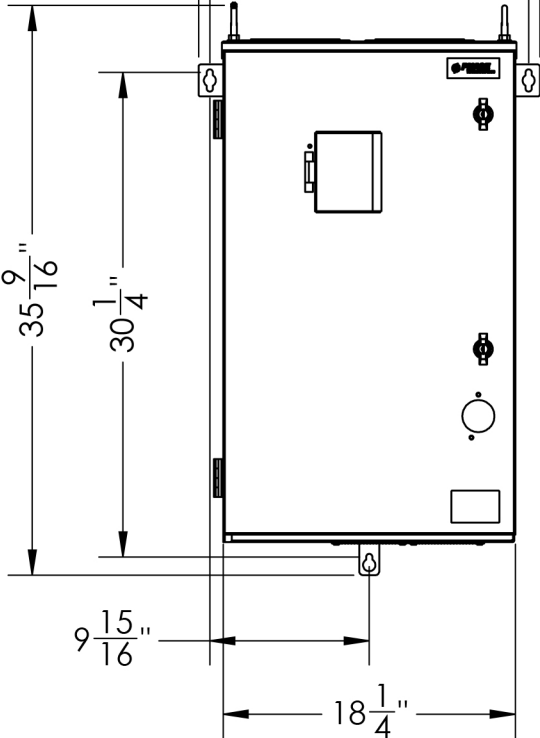
14 <sup>5</sup>/<sub>16</sub>"

TOP



21 <sup>5</sup>/<sub>16</sub>"

19 <sup>15</sup>/<sub>16</sub>"



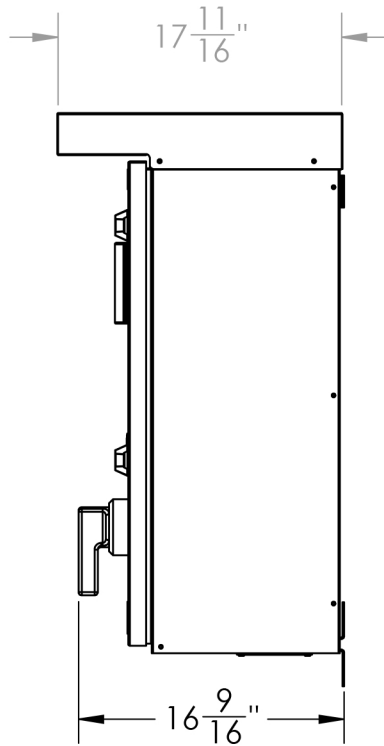
35 <sup>9</sup>/<sub>16</sub>"

30 <sup>1</sup>/<sub>4</sub>"

9 <sup>15</sup>/<sub>16</sub>"

18 <sup>1</sup>/<sub>4</sub>"

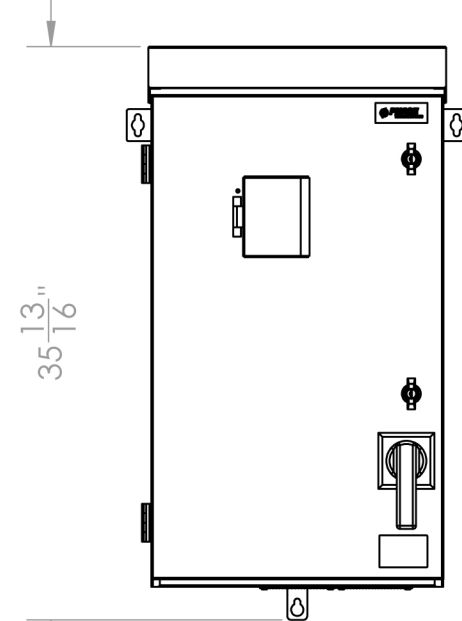
FRONT



17 <sup>11</sup>/<sub>16</sub>"

16 <sup>9</sup>/<sub>16</sub>"

SIDE - 3R AND BREAKER



35 <sup>13</sup>/<sub>16</sub>"

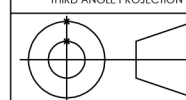
FRONT - 3R AND BREAKER

MODELS

|         |         |        |        |
|---------|---------|--------|--------|
| 1LHE007 | 3LHE010 | DXE010 | SDE410 |
| 1LHE010 | 3LHE015 | DXE015 | SDE415 |
| 1LHE015 | 3LHE020 | DXE020 |        |
| 1LHE020 | 3LHE025 | DXE025 |        |
| 1LHE220 | 3LHE030 | DXE030 |        |
| 1LHE225 | 3LHE210 | DXE420 |        |
| 1LHE415 | 3LHE215 | DXE425 |        |
| 1LHE420 | 3LHE220 | DXE430 |        |
| 1LHE425 | 3LHE225 | DXE440 |        |
| 1LHE430 | 3LHE415 | DXE450 |        |
|         | 3LHE420 |        |        |
|         | 3LHE425 |        |        |
|         | 3LHE430 |        |        |
|         | 3LHE440 |        |        |
|         | 3LHE450 |        |        |

MASS = lb

THIRD ANGLE PROJECTION



Drawing Title:

**Enterprise Large**

Part Number:  
**See Model Table**

Revision:  
**4**

Material:

**N/A**

Finish:

Drawn by:

**CAW**

Checked/Approved by:

**TJM**

Scale:

**1:12**

Sheet:

**1 of 1**

Date:

**6/24/2020**

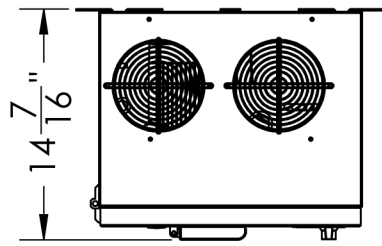
Units:

**IN**

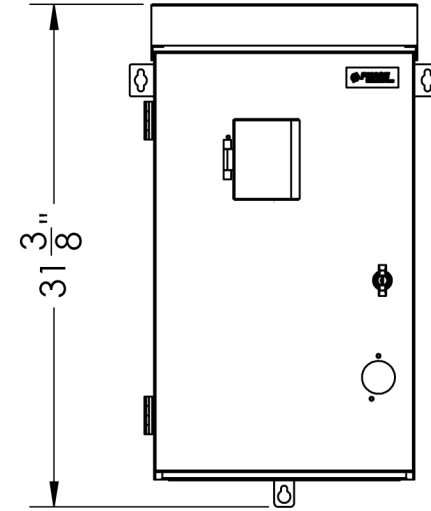
UNLESS OTHERWISE SPECIFIED:  
NO DIM, ±0.060" TO MODEL  
0.XX: ±0.02" 0.XXX: ±0.010"  
ANGLES: ±1°  
HOLE Ø: ±0.020" TO MODEL  
HOLE ⌀: ±0.010" TO MODEL



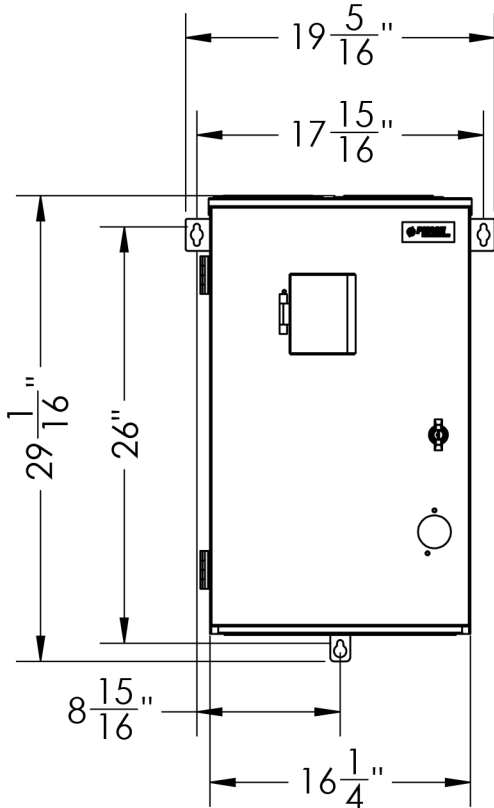
This drawing and any information contained within are the confidential and copyright property of Phase Technologies, LLC © and MUST NOT BE DISCLOSED, COPIED, LOANED in whole or part or used for any purpose without the written permission of Phase Technologies, LLC.



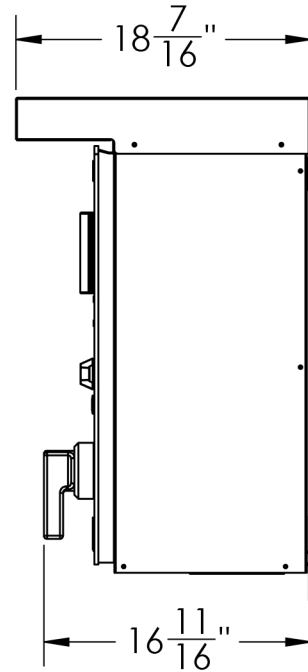
TOP



FRONT - 3R AND BREAKER



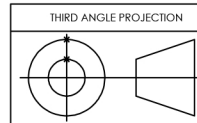
FRONT



SIDE - 3R AND BREAKER

MODELS

|         |         |        |        |
|---------|---------|--------|--------|
| 1LHE005 | 3LHE005 | DXE005 | SDE005 |
| 1LHE205 | 3LHE007 | DXE007 | SDE007 |
| 1LHE207 | 3LHE205 | DXE405 | SDE010 |
| 1LHE210 | 3LHE207 | DXE407 | SDE015 |
| 1LHE215 | 3LHE405 | DXE410 | SDE405 |
| 1LHE405 | 3LHE407 | DXE415 | SDE407 |
| 1LHE407 | 3LHE410 |        |        |
| 1LHE410 |         |        |        |

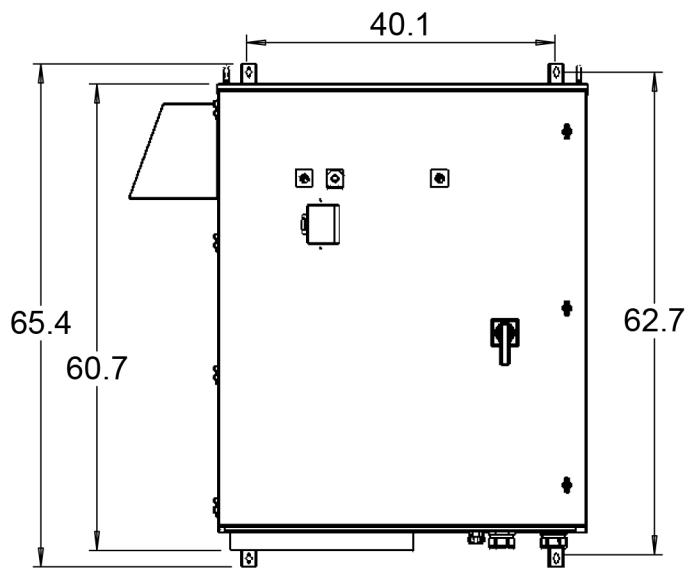


UNLESS OTHERWISE SPECIFIED:  
 NO DIM, ±0.060" TO MODEL  
 0.XX: ±0.02" 0.XXX: ±0.010"  
 ANGLES: ±1°  
 HOLE Ø: ±0.020" TO MODEL  
 HOLE ⌀: ±0.010" TO MODEL

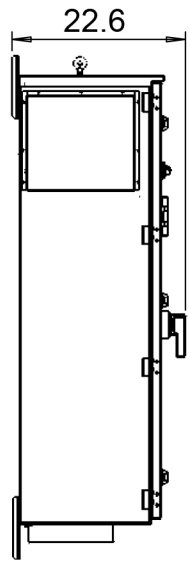
|                                           |                                    |
|-------------------------------------------|------------------------------------|
| Drawing Title:<br><b>Enterprise Small</b> |                                    |
| Part Number:<br><b>See Model Table</b>    | Revision:<br><b>2</b>              |
| Material:<br><b>N/A</b>                   |                                    |
| Finish:                                   |                                    |
| Drawn by:<br><b>CAW</b>                   | Checked/Approved by:<br><b>TJM</b> |
| Scale:<br><b>1:12</b>                     | Sheet:<br><b>1 of 1</b>            |
| Date:<br><b>6/24/2020</b>                 | Units:<br><b>IN</b>                |



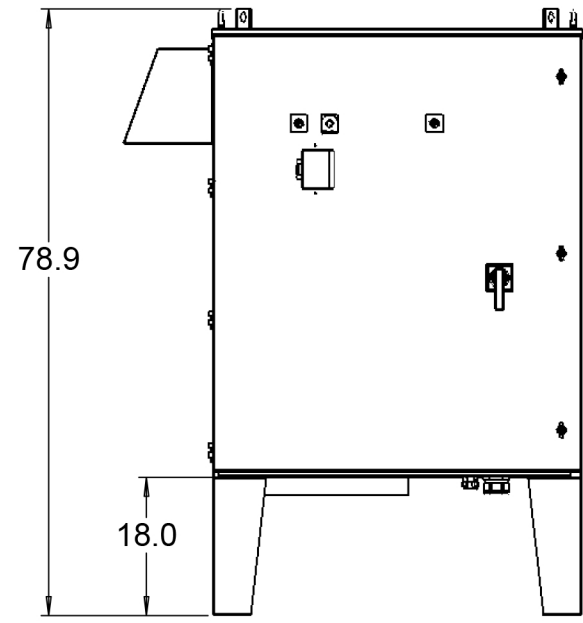
This drawing and any information contained within are the confidential and copyright property of Phase Technologies, LLC © and MUST NOT BE DISCLOSED, COPIED, LOANED in whole or part or used for any purpose without the written permission of Phase Technologies, LLC.



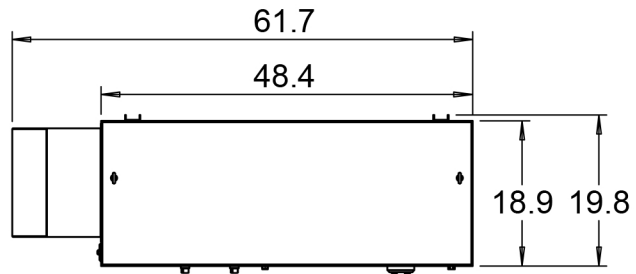
FRONT



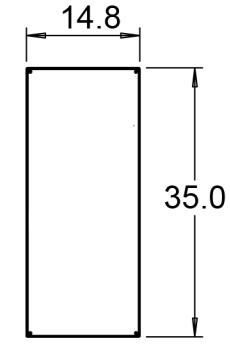
SIDE



OPTIONAL LEG KIT

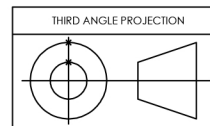


TOP



SUB PANEL DETAIL

| MODELS           |
|------------------|
| 1LH220X          |
| 1LH230C/230X     |
| 1LH240/240C      |
| 1LH250           |
| 1LH460/460C/460X |
| 1LH475/475C/475X |
| 1LH4100/4100C    |
| 1LH4125          |

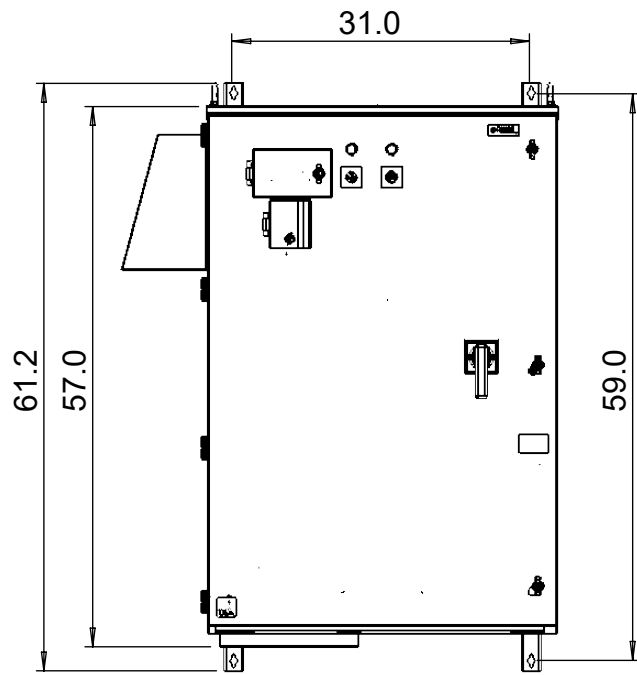


UNLESS OTHERWISE SPECIFIED:  
 NO DIM,  $\pm 0.060$ " TO MODEL  
 0.XX:  $\pm 0.02$ " 0.XXX:  $\pm 0.010$ "  
 ANGLES:  $\pm 1^\circ$   
 HOLE  $\varnothing$ :  $\pm 0.020$ " TO MODEL  
 HOLE  $\varnothing$ :  $\pm 0.010$ " TO MODEL

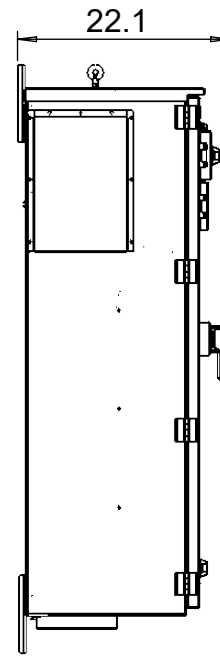
|                                          |                         |                           |                     |
|------------------------------------------|-------------------------|---------------------------|---------------------|
| Drawing Title:<br><b>1LH LARGE FRAME</b> |                         |                           |                     |
| Part Number:<br><b>N/A</b>               |                         | Revision:<br><b>2</b>     |                     |
| Material:<br><b>N/A</b>                  |                         |                           |                     |
| Finish:<br><b>N/A</b>                    |                         |                           |                     |
| Drawn by:<br><b>AHK</b>                  |                         | Checked/Approved by:      |                     |
| Scale:<br><b>1:25</b>                    | Sheet:<br><b>1 of 1</b> | Date:<br><b>6/23/2020</b> | Units:<br><b>IN</b> |



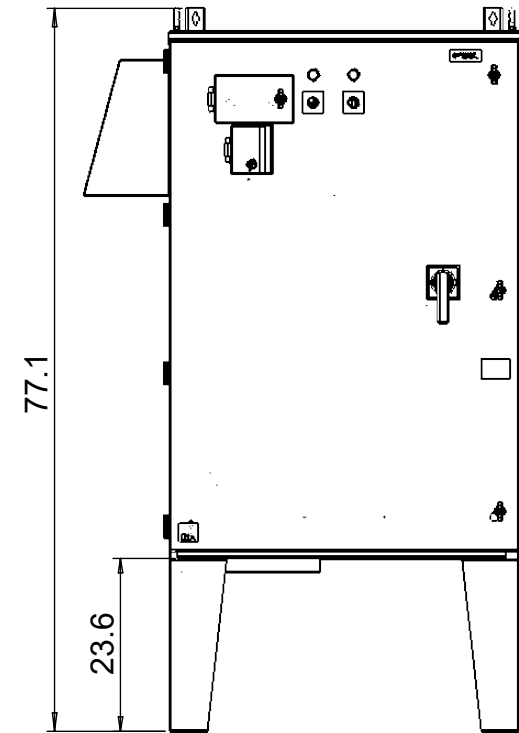
This drawing and any information contained within are the confidential and copyright property of Phase Technologies, LLC © and MUST NOT BE DISCLOSED, COPIED, LOANED in whole or part or used for any purpose without the written permission of Phase Technologies, LLC.



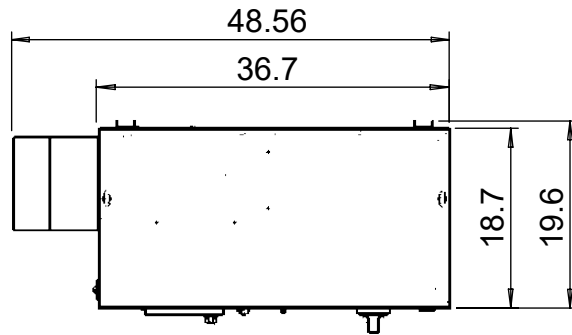
FRONT



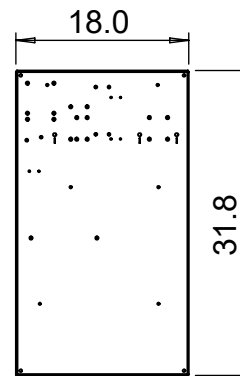
SIDE



OPTIONAL  
LEG KIT

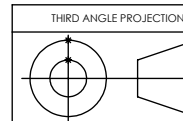


TOP



SUB PANEL  
DETAIL

| MODELS           |
|------------------|
| 1LH220/220C      |
| 1LH230           |
| 1LH420/420C/420X |
| 1LH430/430C/430X |
| 1LH440/440C/440X |
| 1LH450/450C      |



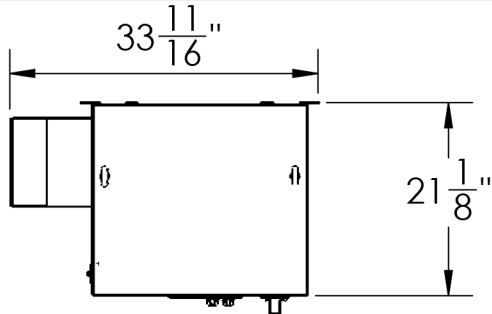
MASS = lb

|                                           |                         |
|-------------------------------------------|-------------------------|
| Drawing Title:<br><b>1LH MEDIUM FRAME</b> |                         |
| Part Number:<br><b>N/A</b>                | Revision:<br><b>2</b>   |
| Material:<br><b>N/A</b>                   |                         |
| Finish:<br><b>N/A</b>                     |                         |
| Drawn by:<br><b>AHK</b>                   |                         |
| Checked/Approved by:                      |                         |
| Scale:<br><b>1:20</b>                     | Sheet:<br><b>1 of 1</b> |
| Date:<br><b>7/27/2021</b>                 | Units:<br><b>IN</b>     |

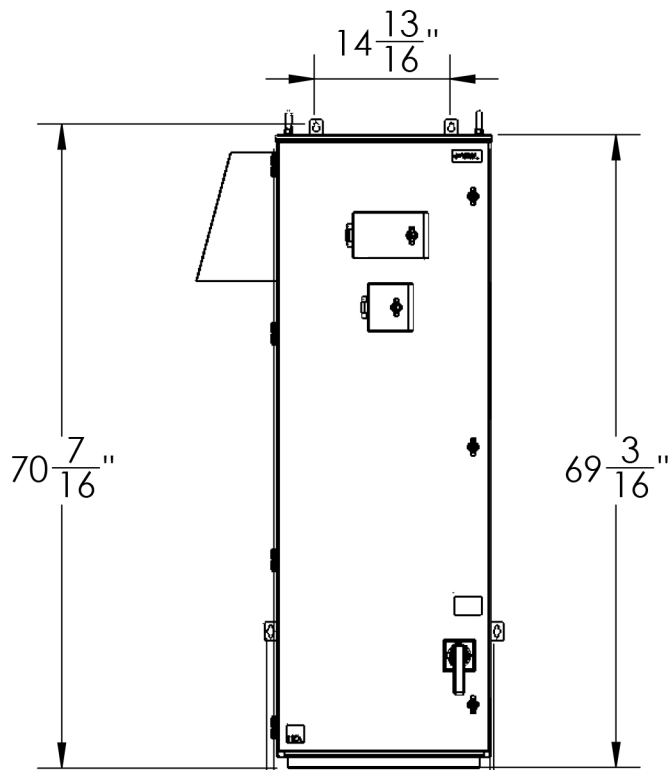
UNLESS OTHERWISE SPECIFIED:  
 NO DIM, ±0.060" TO MODEL  
 0.XX: ±0.02" 0.XXX: ±0.010"  
 ANGLES: ±1°  
 HOLE Ø: ±0.020" TO MODEL  
 HOLE ⌀: ±0.010" TO MODEL



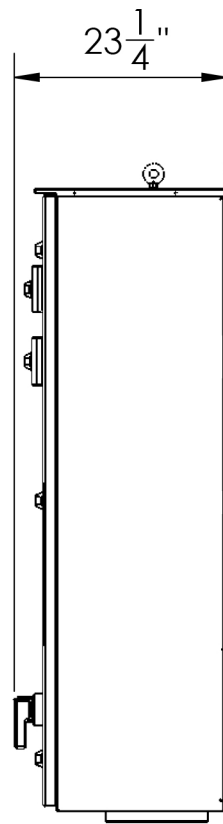
This drawing and any information contained within are the confidential and copyright property of Phase Technologies, LLC © and MUST NOT BE DISCLOSED, COPIED, LOANED in whole or part or used for any purpose without the written permission of Phase Technologies, LLC.



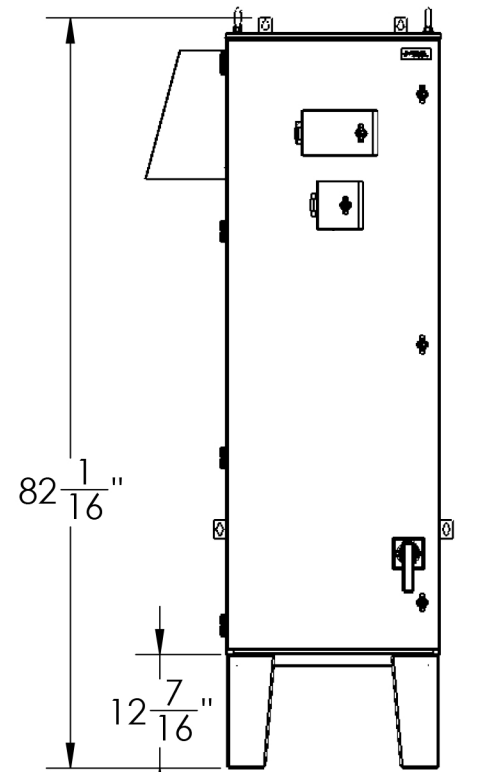
TOP



FRONT



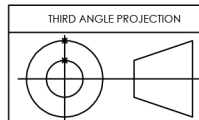
SIDE



OPTIONAL LEG KIT

**MODELS**

|                  |
|------------------|
| 1LHS240          |
| 1LHS460          |
| 1LHS475          |
| 1LHS4100         |
| 3LHS250          |
| 3LHS260          |
| 3LHS4125/DXS4125 |
| 3LHS4150/DXS4150 |
| 3LHS4200/DXS4200 |



THIRD ANGLE PROJECTION

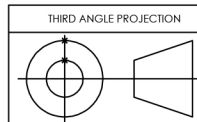
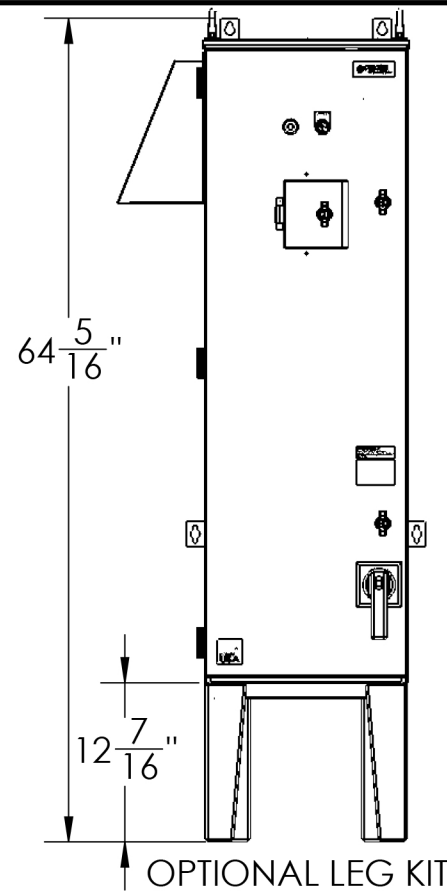
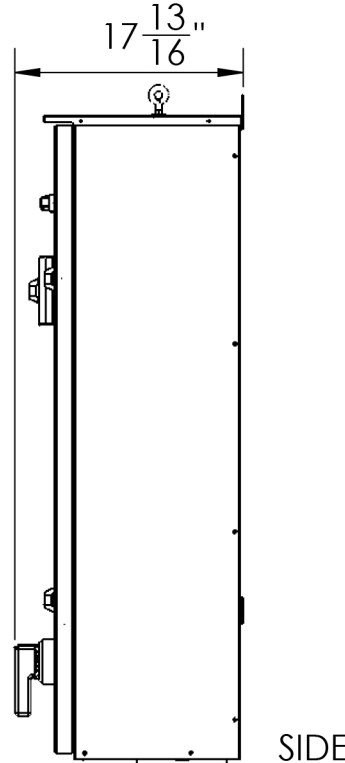
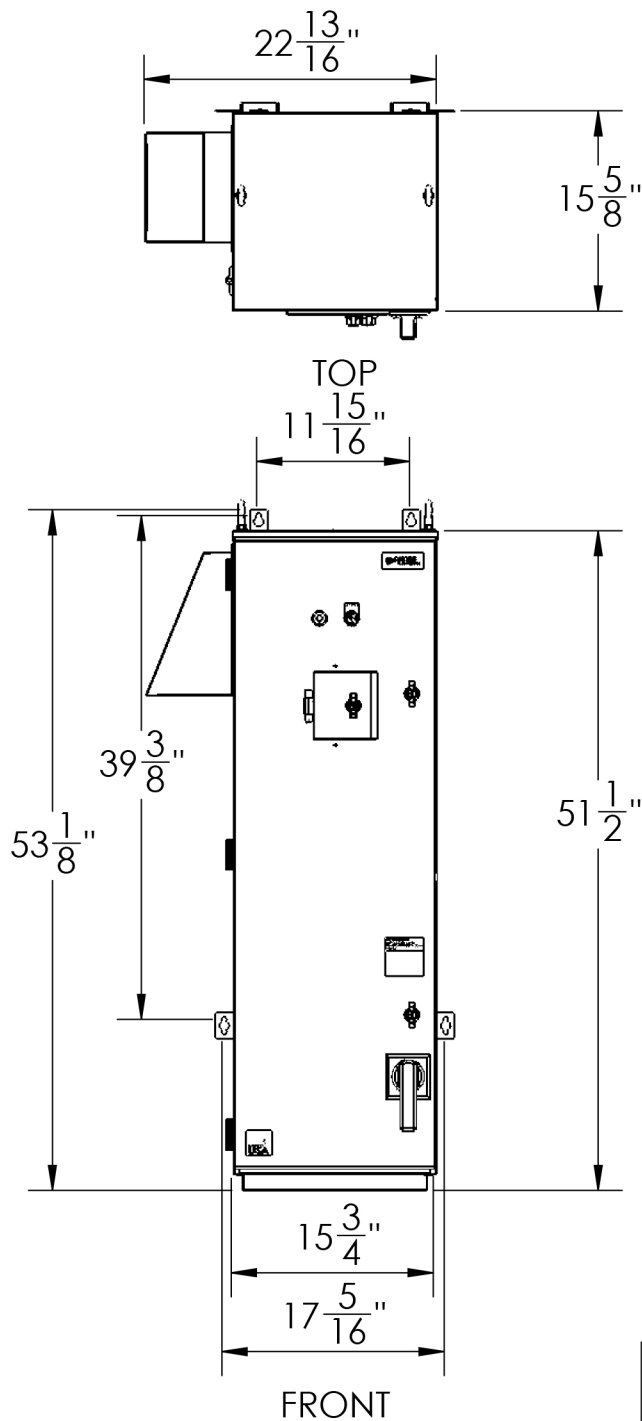
UNLESS OTHERWISE SPECIFIED:  
 NO DIM, ±0.060" TO MODEL  
 0.XX: ±0.02" 0.XXX: ±0.010"  
 ANGLES: ±1°  
 HOLE Ø: ±0.020" TO MODEL  
 HOLE Ⓢ: ±0.010" TO MODEL

MASS = lb

|                                              |                                    |                           |                     |
|----------------------------------------------|------------------------------------|---------------------------|---------------------|
| Drawing Title:<br><b>LHS/DXS LARGE FRAME</b> |                                    |                           |                     |
| Part Number:<br><b>N/A</b>                   | Revision:<br><b>0</b>              |                           |                     |
| Material:<br><b>N/A</b>                      |                                    |                           |                     |
| Finish:<br><b>N/A</b>                        |                                    |                           |                     |
| Drawn by:<br><b>FEPI</b>                     | Checked/Approved by:<br><b>JLT</b> |                           |                     |
| Scale:<br><b>1:21</b>                        | Sheet:<br><b>1 of 1</b>            | Date:<br><b>6/24/2020</b> | Units:<br><b>IN</b> |



This drawing and any information contained within are the confidential and copyright property of Phase Technologies, LLC © and MUST NOT BE DISCLOSED, COPIED, LOANED in whole or part or used for any purpose without the written permission of Phase Technologies, LLC.



UNLESS OTHERWISE SPECIFIED:  
 NO DIM,  $\pm 0.060$ " TO MODEL  
 0.XX:  $\pm 0.02$ " 0.XXX:  $\pm 0.010$ "  
 ANGLES:  $\pm 1^\circ$   
 HOLE  $\phi$ :  $\pm 0.020$ " TO MODEL  
 HOLE  $\oplus$ :  $\pm 0.010$ " TO MODEL

|                                                    |                         |                                    |                     |
|----------------------------------------------------|-------------------------|------------------------------------|---------------------|
| MASS = lb                                          |                         |                                    |                     |
| Drawing Title:<br><b>3LHS/1LHS/DXS SMALL FRAME</b> |                         |                                    |                     |
| Part Number:<br><b>N/A</b>                         |                         | Revision:<br><b>0</b>              |                     |
| Material:<br><b>N/A</b>                            |                         |                                    |                     |
| Finish:<br><b>N/A</b>                              |                         |                                    |                     |
| Drawn by:<br><b>FEPI</b>                           |                         | Checked/Approved by:<br><b>JLT</b> |                     |
| Scale:<br><b>1:15</b>                              | Sheet:<br><b>1 of 1</b> | Date:<br><b>6/25/2020</b>          | Units:<br><b>IN</b> |

| MODELS            |
|-------------------|
| 3LHS/1LHS 220     |
| 1LHS230           |
| 3LHS/1LHS/DXS 420 |
| 3LHS/1LHS/DXS 430 |
| 3LHS/1LHS/DXS440  |
| 3LHS/1LHS/DXS 450 |



This drawing and any information contained within are the confidential and copyright property of Phase Technologies, LLC © and MUST NOT BE DISCLOSED, COPIED, LOANED in whole or part or used for any purpose without the written permission of Phase Technologies, LLC.